



WARNING!

Contact your local Municipality for any building codes regulating outdoor barbecue installations.

NOTE: When using Propane, EXTREME CAUTION should be used to provide ample ventilation of vapor from the enclosure.

LP gas vapor is heavier than air and SERIOUS INJURY from a DANGEROUS EXPLOSION could occur if LP Gas is allowed to accumulate in an enclosure and then ignited. Both the Barbecue enclosure and LP cylinder enclosure require venting that must be provided at the floor level of the enclosure to allow any leaking LP Gas vapor to escape. Upper & lower ground level vents (200 cm² minimum each) MUST BE PROVIDED on both sides of built-in construction.

When installing a barbecue equipped for liquid propane in an island, the propane tank must be in a separate enclosure that is completely isolated from the barbecue. It must be cross ventilated in accordance with the current standard. The propane tank MUST NEVER be installed directly under the barbecue.

AGA Standard for Ventilation openings

2.1.15.1 Cylinder compartments for cylinders exceeding 1.25 kg gas capacity

Ventilation openings shall—

- (a) ventilate to the outside of the appliance;
- (b) be provided at high and low level;
- (c) have a total free area at high level of not less than 200 cm²; and
- (d) have a total free area at low level of not less than 200 cm².

Alternatively, ventilation openings shall consist of perforations with a total free area of not less than 25% of the sidewall area, ventilating to the outside of the appliance.

The bottom of the low level (set of) opening(s) shall be at the cylinder compartment base with the upper edge no more than 125 mm above the base.

The ventilation openings shall be placed so that they cannot be obstructed by the cylinder(s).

IMPORTANT

Built-in Installation

BARBECUES MUST BE INSTALLED IN ACCORDANCE WITH THE MANUFACTURES INSTALLATION INSTRUCTIONS, LOCAL GAS FITTING REGULATIONS, MUNICIPAL BUILDING CODES AND THE GAS INSTALLATION CODE AS601/AG601.

Choose a location where the flow of air on the front of grill is not obstructed. Due high temperature, place the grill out of traffic and keep away from clothing, furniture, etc. keep the gas line connection as short as possible. Do not install in recreational vehicles/ mobile homes, trailers, boat, etc.

The barbecue must not be installed under or on any combustible material. Minimum clearance from any combustible materials of ALL sides of the barbecue is 530mm (21")

We recommend that all built in installations be done in a masonry structure and carried out by authorized person.

Other non-combustible materials such as Hardiplank Villaboard with metal stud construction may be used.

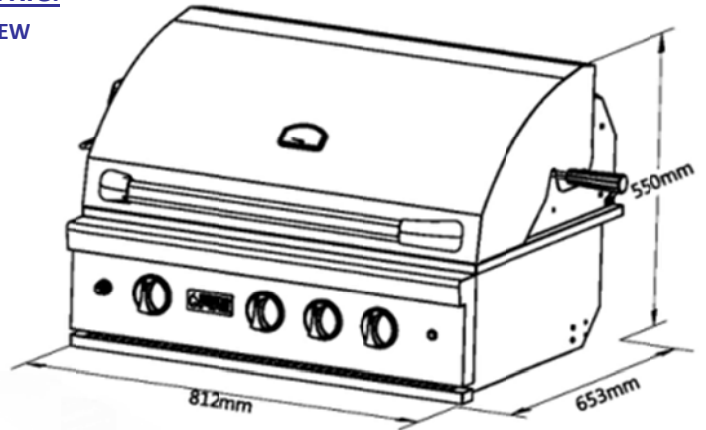
For non-combustible masonry enclosure installation, follow the cut out dimensions as shown. The bottom of the grill must be supported on both sides and back or full width with opening as shown for gas connection.



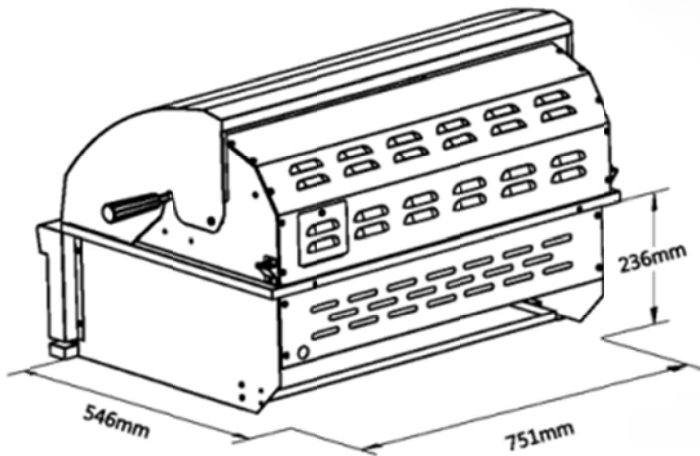
Brand	GRANDFIRE Classic Series
Model	GF32L/LB/LBS
Description	GF32" Built-in Grill



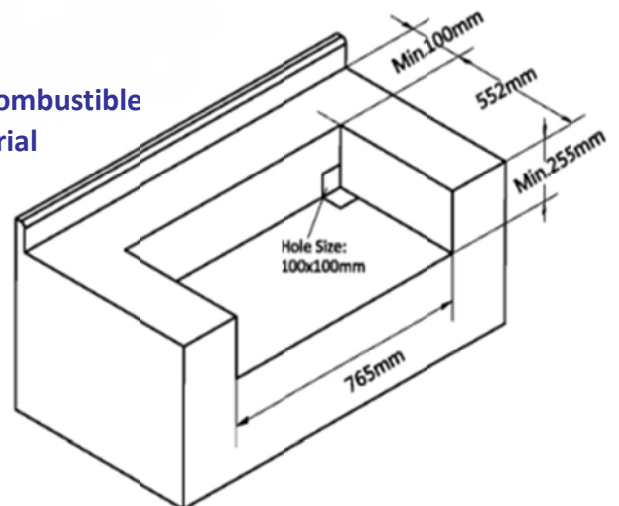
ISOMETRIC:
FRONT VIEW



ISOMETRIC:
BACK VIEW



**Noncombustible
Material**



Note:

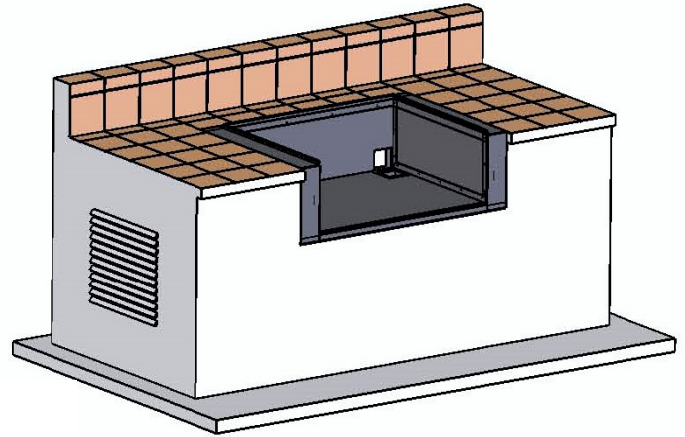
Due to our continuous project improvement, all models and specifications are subject to change without notice.



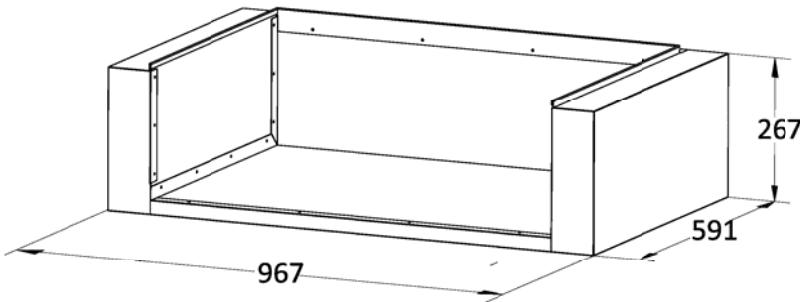
Brand	GRANDFIRE Classic Series
Model	GF-IJ32
Description	GF32" Insulation Jacket



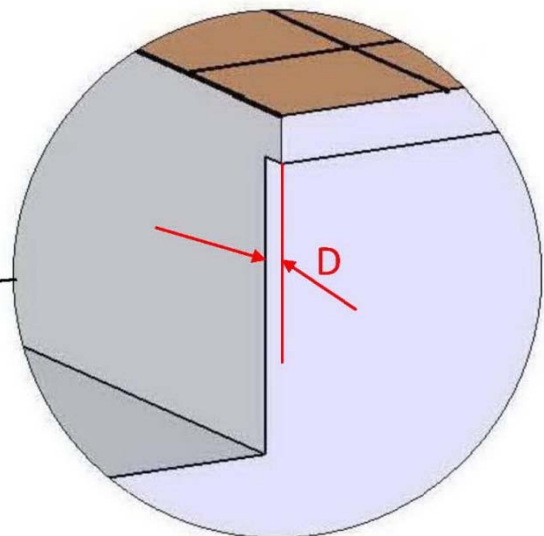
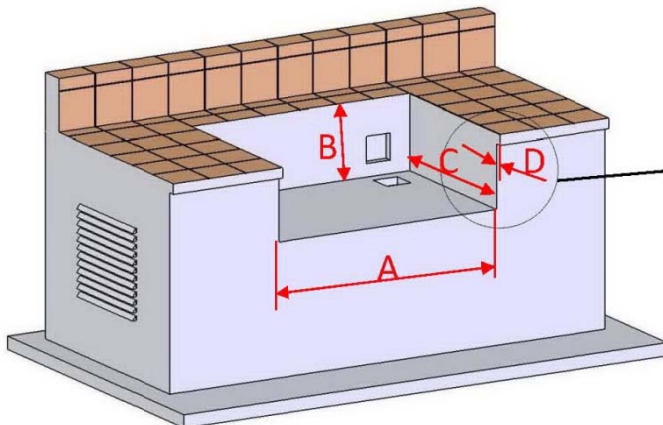
SOLUTION FOR COMBUSTIBLE CABINET:



Model: GF-IJ32



Insulation Jacket/Zero Clearance
Box for Classic 32 Grill



MODEL	A (mm)	B (mm)	C (mm)	*D
GF-IJ32	969	267	591	*

*The Zero Clearance box should be flat with the cabinet wall in the front, this 'D' size is decided by the designer.

Note:

Due to our continuous project improvement, all models and specifications are subject to change without notice.

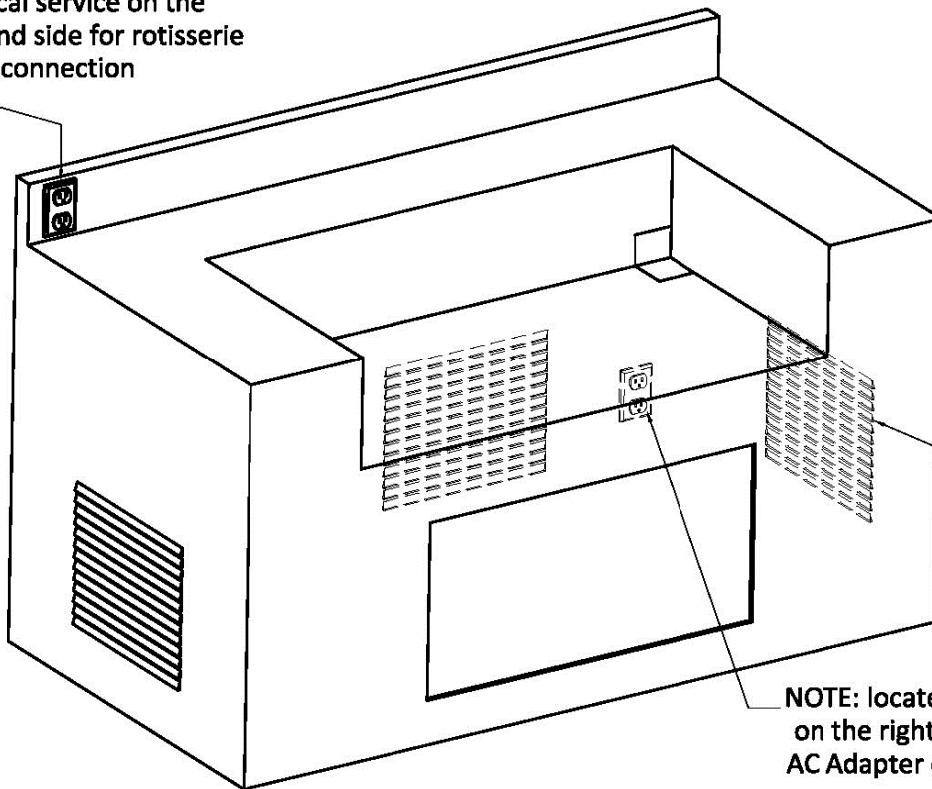


Brand	GRANDFIRE Classic Series
Model	GF32L/LB/LBS
Description	GF32" Built-in Grill



POWER SUPPLERS AND VENTILATIONS:

NOTE: If using a backguard apron or real wall, locate electrical service on the left hand side for rotisserie motor connection



10000mm² Min. ventilation on the LEFT/RIGHT and BACK side EACH

NOTE: locate electrical service on the right hand side for AC Adapter connection

Note:

Due to our continuous project improvement, all models and specifications are subject to change without notice.