



FOR THE
DISCERNING
ENTERTAINER

LIGHTING INSTRUCTIONS
1. Read instructions before lighting.
2. Open lid while lighting burners.
3. Turn all gas valves to "OFF" position.
4. Turn on the "OFF" position.
5. Turn on the "OFF" position.
6. If you do not have a "OFF" position,
7. Turn on the "OFF" position.
8. Turn on the "OFF" position.
9. Turn on the "OFF" position.
10. Turn on the "OFF" position.



/ GrandFire / The GrandFire Difference

Here's why we're different:



A Grand Occasion

The guests are gathering. Drinks are in hand, friends and family are catching up, accompanied by plenty of laughter. Workmates share stories of big wins from the week. The promise of an amazing meal has brought them all to your place.

GrandFire BBQ's make a stunning impact for the discerning entertainer. Owning one means you will enjoy the sophistication and sleek finish of a BBQ crafted from the finest quality stainless steel. Guests will be treated to perfectly cooked steak, succulent chicken and chargrilled vegetables of restaurant quality.

If your demand for style must be matched by incomparable performance, only a GrandFire BBQ is capable of meeting your expectations.

Enduring Quality

The closer you look at a GrandFire BBQ, the better it looks. You'll discover our stainless steel is commercial grade, promising greater toughness and corrosion resistance than lesser BBQs. It's also double skinned in zones exposed directly to high temperature.

Our confidence means you'll receive the benefit of an outstanding warranty* on your new GrandFire BBQ.

*Please see inside back cover (specifications) for warranty details.





Outdoor Modular Kitchens now available

/ GrandFire / Features

Rotisserie Burner and Kit

Gives consistent, infrared radiant heat for slow rotisserie cooking (All models except Classic 26")



FlashFire™ High-Temp Sear Zone

Provides high-intensity infrared heat for searing food and sealing in flavor



Self-Ignition Valve System

Greater flexibility and control with individual dials for each burner (Classic 26", 32", & 38")



Decorative Control Panel LED Lights

Gives that extra modern look at night (Deluxe 30" & 42")

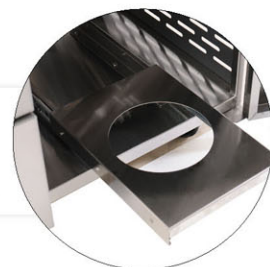


Stainless Steel Cooking Surfaces

Combination of both solid SS plates and SS grills (All models)

Pull-Out Gas Bottle Slide

Provides easy access to your gas bottle (All models)



Built-In Halogen Lights

Enhanced cooking visibility
 (All models except Classic 26")



Double Skinned Hood

Added insulation for easily holding temperature
 (All models)



U-Shaped Burners

Ensure even heat within cooking zones
 (Shape varies between models)



Side Burner

Ability to add a pot or wok to your cooking - move your kitchen outdoors (Deluxe 30" & 42")



Ceramic Briquette

High quality ceramic briquettes for temperature and heat recovery (Deluxe 30" & 42")



/ Icon Key /



2 x main cooking burners. Available in the 26" barbecue.



3 x main cooking burners. Available in the 32" barbecue.



4 x main cooking burners. Available in the 38" barbecue.



Front panel LED lighting (above front panel knobs). Available in all deluxe models.



High-temp infrared sear zone. Available in all models.



Protective weather cover. Comes with all barbecue models.



Storage. All the barbecues come with storage space.



Side burner. For an extra element to cook on. Included in Deluxe models / Optional for Classic models.



Rotisserie Burner & Kit. 240V powered motor. Available on all models (except 26").



Deluxe version. Bigger U-Shaped cooking burner.

Classic 26" BBQ



Model: GF26GC

- Self-ignition valve system
- 2 x foldable side shelves
- Pull-out gas bottle slide
- Zinc cast chromed knob
- Stainless steel flame tamer
- Fueled by LPG or NG
- Optional FlashFire™ high-temp sear zone

Classic 32" BBQ



Model: GF32LBSGC

- Self-ignition valve system
- 2 x built-in halogen lights
- 2 x foldable side shelves
- Pull-out gas bottle slide
- Water proof metal switch
- Zinc cast chromed knob
- Stainless steel flame tamer
- Fueled by LPG or NG
- FlashFire™ high-temp sear zone

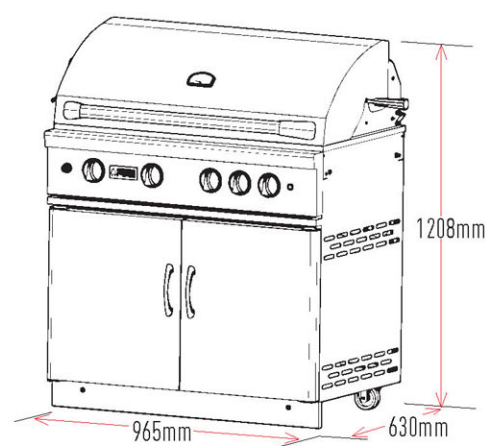
Classic 38" BBQ



Model: GF38LBSGC

- Self-ignition valve system
- 2 x built-in halogen lights
- 2 x side shelves
- Pull-out gas bottle slide
- Water proof metal switch
- Zinc cast chromed knob
- Stainless steel flame tamer
- Fueled by LPG or NG
- FlashFire™ high-temp sear zone

Overall BBQ dimensions without shelves





Deluxe Series / GrandFire /

Deluxe 30" BBQ



Deluxe 42" BBQ



Model: GFD30LBGC

- Electric hot surface ignition system
- Pull-out gas bottle slide
- Ceramic briquettes burner cover
- Water proof illuminated metal switch
- Zinc cast chromed knob
- Two position rotisserie system
- Zone dividers to regulate different temperatures
- Multi-position and stow away warming rack
- Fueled by LPG or NG
- Optional FlashFire™ high-temp sear zone



Model: GFD42LBGGC

- Electric hot surface ignition system
- Pull-out gas bottle slide
- Ceramic briquettes burner cover
- FlashFire™ high-temp sear zone
- Water proof illuminated metal switch
- Zinc cast chromed knob
- Two position rotisserie system
- Zone dividers to regulate different temperatures
- Multi-position and stow away warming rack
- Fueled by LPG or NG



/ GrandFire / Built-In Classic Series



Classic 26" BBQ



(Optional)

Model: *GF26*

- Self-ignition valve system
- Stainless steel hotplate & grills
- Zinc cast chromed knob
- Stainless steel flame tamer
- Fueled by LPG or NG
- Optional FlashFire™ high-temp sear zone

Classic 32" BBQ head



Model: *GF32LBS*

- Self-ignition valve system
- Stainless steel hotplate & grills
- 2 x built-in halogen lights
- Water proof metal switch
- Zinc cast chromed knob
- Stainless steel flame tamer
- Fueled by LPG or NG
- FlashFire™ high-temp sear zone

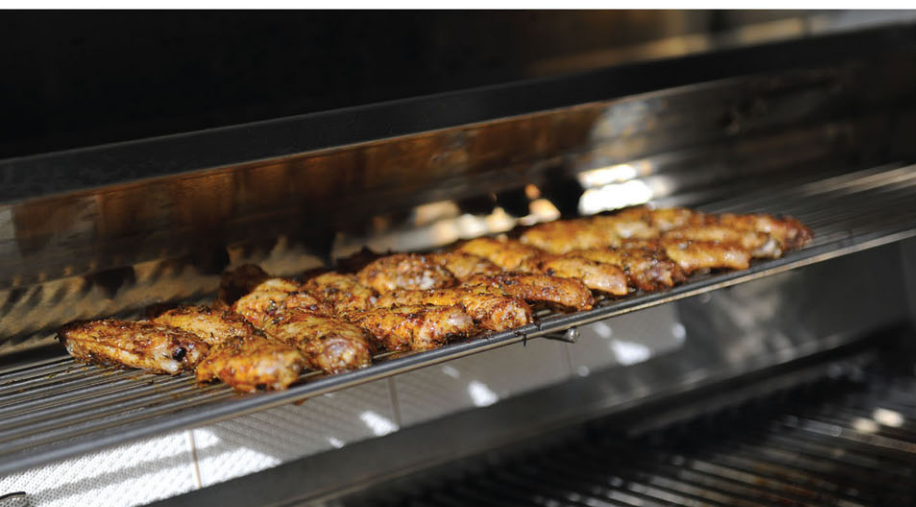
Classic 38" BBQ head



Model: *GF38LBS*

- Self-ignition valve system
- Stainless steel hotplate & grills
- 2 x built-in halogen lights
- Water proof metal switch
- Zinc cast chromed knob
- Stainless steel flame tamer
- Fueled by LPG or NG
- FlashFire™ high-temp sear zone

**Insulation jacket/zero clearance box available for all models. See 'Built-In Specifications' page for further details.*



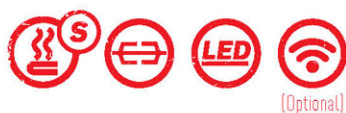


Built-In Deluxe Series / GrandFire /

Deluxe 30" BBQ head



Deluxe 42" BBQ head



Model: *GFD30LB*

Model: *GFD42LBS*

- Electric hot surface ignition system*
- Pull-out gas bottle slide*
- Ceramic briquettes burner cover*
- Water proof illuminated metal switch*
- Zinc cast chromed knob*
- Two position rotisserie system*
- Zone dividers to regulate different temperatures*
- Multi-position and stow away warming rack*
- Fueled by LPG or NG*
- Optional FlashFire™ high-temp sear zone*

- Electric hot surface ignition system*
- Pull-out gas bottle slide*
- Multi-position and stow away warming rack*
- Ceramic briquettes burner cover*
- FlashFire™ high-temp sear zone*
- Water proof illuminated metal switch*
- Zinc cast chromed knob*
- Two position rotisserie system*
- Zone dividers to regulate different temperatures*
- Fueled by LPG or NG*

**Insulation jacket/zero clearance box available for all models. See 'Built-In Specifications' page for further details.*



/ GrandFire / Specifications - Built-In Series

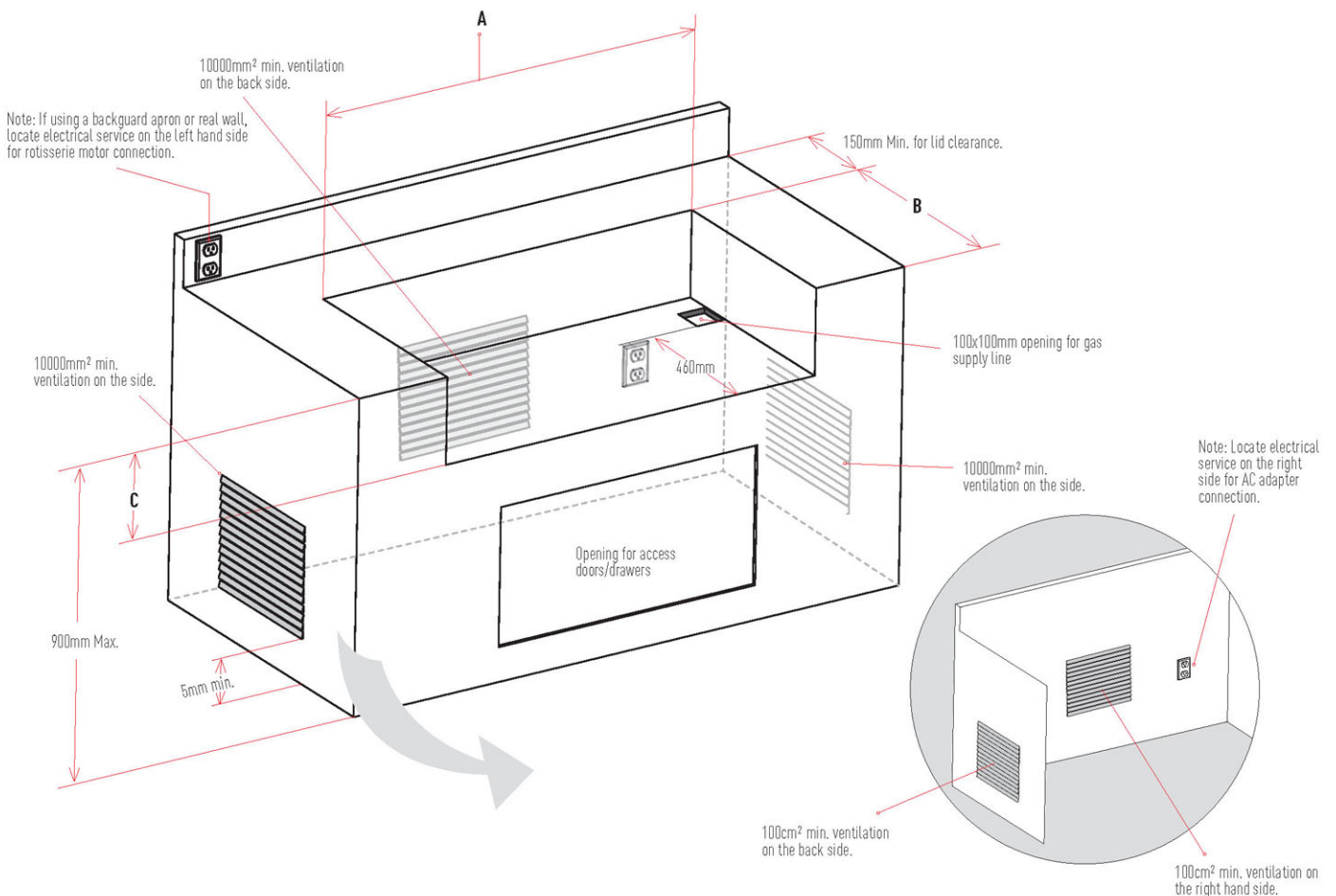
Built-in model - recommended cut-out dimensions

	Model	A) Length (mm)	B) Width (mm)	C) Height (mm)	
	GrandFire Classic 26"	GF26	613	552	270
	GrandFire Classic 32"	GF32LB	765	552	270
	GrandFire Classic 38"	GF38LB	918	552	270
	GrandFire Deluxe 30"	GFD30LB	715	585	280
	GrandFire Deluxe 42"	GFD42LBS	1020	585	280

* The built-in island construction material should be all non-combustible material. It cannot have any ventilation holes except for the hole required for the gas supply in the cut-out base.



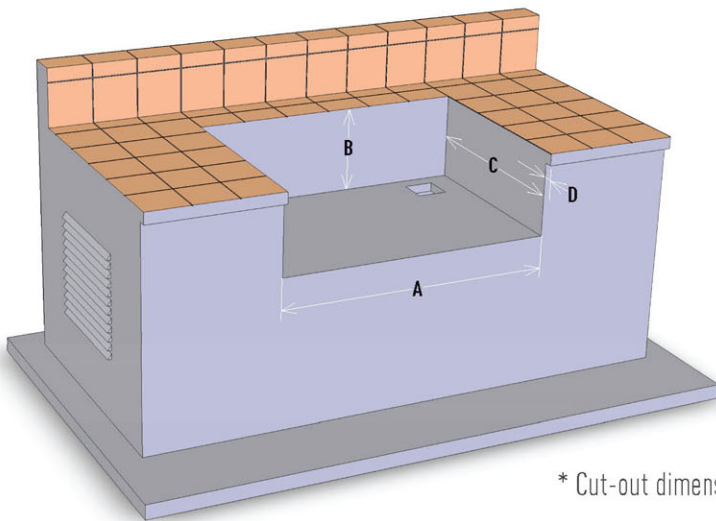
Specifications



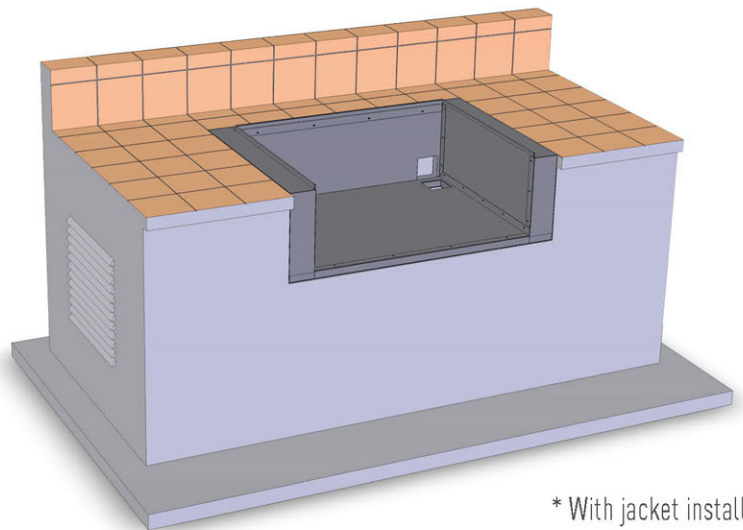
Specifications - Built-In Series / GrandFire /

Only use the Grandfire insulated jacket which has been specifically designed and tested for this purpose. An approved insulation jacket is necessary if the grill is to be placed into a combustible enclosure.

Grandfire insulated jackets are completely constructed of 304 grade stainless steel and are recommended for combustible island installation. Insulated jackets must be supported from the bottom.



* Cut-out dimensions



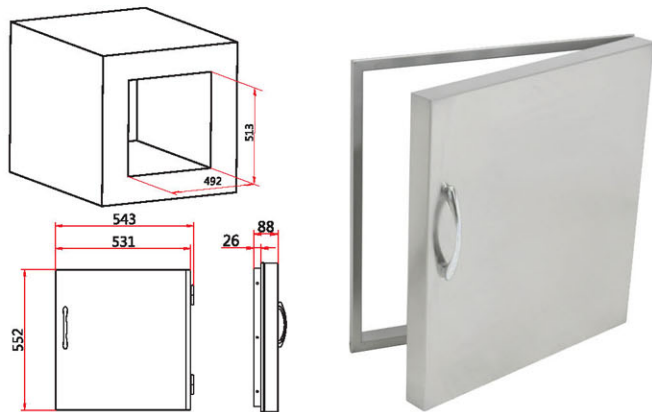
* With jacket installed

Insulation jacket/zero clearance box - recommended cut-out dimensions

	A (mm)	B (mm)	C (mm)	*D
GF-IJ26	817	267	591	The Zero Clearance box should be flat with the cabinet wall in the front, this "D" size is decided by the designer
GF-IJ32	969	267	591	
GF-IJ38	1122	267	591	
GFD-IJ30	919	286	630	
GFD-IJ42	1224	286	630	

* Please contact your dealer for product dimensions

GrandFire / Additions - Built-In Series

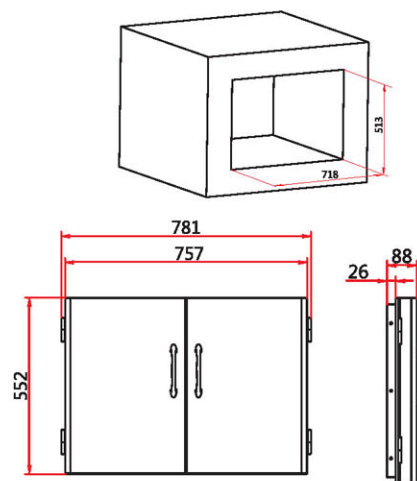


Stainless Steel Single Vertical Door

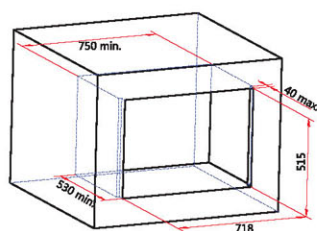
Model: GFK2101

Cut out dimensions: 492W x 513H x 530D mm

Stainless Steel Double Doors



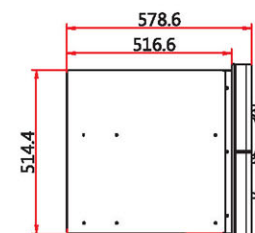
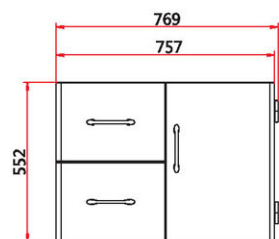
Cut out dimensions: 718W x 513H x 530D mm



Stainless Steel Door / Drawers

Model: GFK3002

For added convenience, GrandFire offers Built-in SS Doors & Drawers Combo that fit perfectly under your built-in grills. This combination of a single access door and a dual drawer, adds a space saving design feature to any island.



Cut out dimensions: 718W x 515H x 530D mm

Additions - Built-In Series / **GrandFire** /

Side Burner

Model: GFKSB1

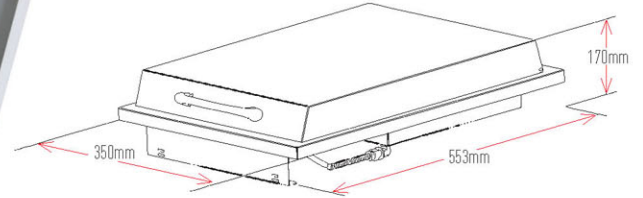
Constructed with 443 stainless steel

18.5MJ/h burner

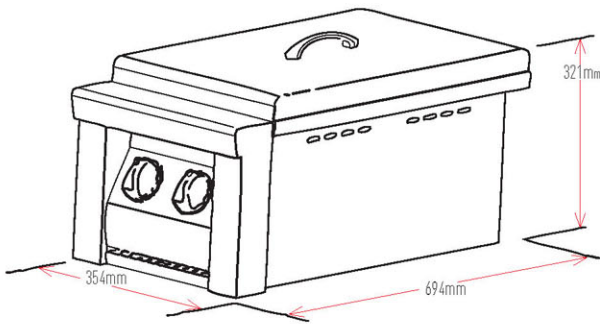
Self ignition valve system

Fueled by LPG or NG

Built-in design for any outdoor kitchen



Cut out dimensions: 280W x 485H x 150D mm



Cut out dimensions: 316W x 591H x 272D mm



Double Side Burner

Model: GFKSB2

Constructed with 443 stainless steel

2 x 18.5MJ/h burners

Self ignition valve system

Fueled by LPG or NG

Built-in design for any outdoor kitchen

30" Beverage Center

Model: GFKBC

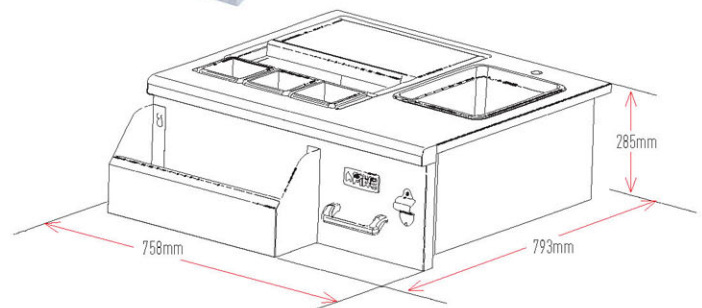
Quality 304 stainless steel

Inbuilt sink

Three removable condiment trays

Large, well insulated ice chest with drain connection

Bottle opener and speed rack



Cut out dimensions: 712W x 260H x 600Dmm



/ GrandFire / Kamado

INTRODUCING

GRANDFIRE KAMADO BBQ, SMOKER & PIZZA OVEN

Ceramic cooking – Our name comes from an ancient style of cooking that began over 3,000 years ago. The name “Kamado” is the Japanese word for “stove” and literally, it means “place for the cauldron”. It’s a simple yet highly efficient and flexible method of cooking any food – perfectly.

The GrandFire Kamado BBQ brings together these age old cooking techniques and blends them with today’s technology. The amazing heat retention properties of ceramics enables temperatures up to 399° Celsius meaning the GrandFire Kamado can be used for cooking meats, smoking fish and even baking!

Once you try the GrandFire Kamado for yourself you’ll be amazed by its versatility and before long it will become the envy of your friends!



The new generation BBQ oven



Savour the wood smoked flavour...

COMPONENTS & FEATURES



Grill/smoker fuel type



We recommend quality natural lump charcoal for maximum heat control and response.

Specifications

Dimension (grill w/cart and side shelves extended): 128cm(H) x 119cm(W) x 74cm(D)

Grate Cooking Space: 1,673 sq cm

Weight (Ceramic Base & Dome): 70kg

Weight (Stainless Steel Cart): 4.5kg

Weight (Two shelves): 3kg

Manufacturer Warranty

5-Year Limited warranty on all ceramics and metal construction, and 2 years on all other accessory parts.

/ GrandFire / Outdoor Kitchen Modules

Grandfire's high quality outdoor kitchen modules provide the ultimate flexibility to create your own instant outdoor entertainment area. Just choose the size of BBQ that suits your lifestyle, and then select from the many additional module units to build up your own amazing outdoor cooking area in any number of different configurations.



Stand-alone Kamado

- Heat resistant ceramic construction*
- Quick response thermometer*
- Temperature control top vent*
- Semi-circular split cooking system*
- Semi-circular heat control system*
- Pizza stone included*
- Bamboo shelves & handle*
- Heavy duty s/s hinge & bands*
- Temperature control lower vent with ezi-clean ash system*
- Grate cooking space: 1,673sq cm*



Model: GK23B

Kamado Table Unit

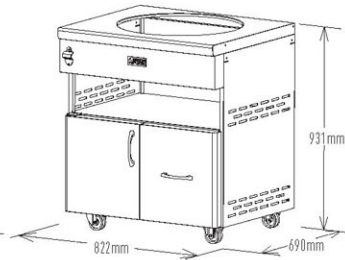
A versatile unit for your Kamado grill.

- Classic series



Model: GF-KJC

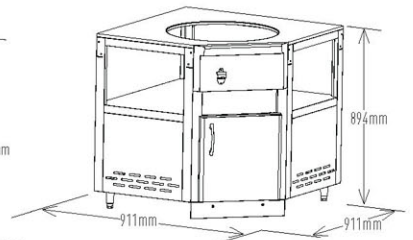
- Deluxe series



Model: GFD-KJC

Kamado Corner Unit

Add Kamado style cooking to your outdoor kitchen corner.



Model: GFK-CNKJ

*Please allow a 250mm clearance behind the cart for opening lid



When combined with the Kamado cookers you can enjoy the complete cooking solution of gas BBQ, pizza oven, charcoal grill, wood smoking, and outdoor oven right at your fingertips.

Square Corner Unit

Side Burner Cabinet Unit

Sink Unit

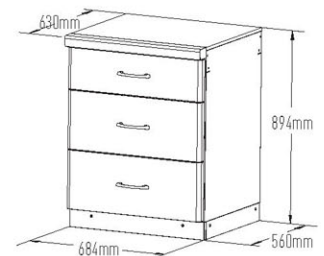
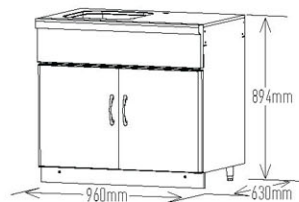
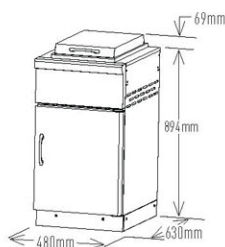
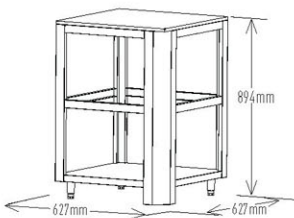
Utility Drawer Unit

A handy corner unit for extra bench space.

Extend your cooking options.

An essential to your complete your outdoor kitchen.

Stainless steel drawers with granite top.



Model: *GFK-CN*

Model: *GFK-SBU + GFKSB1*

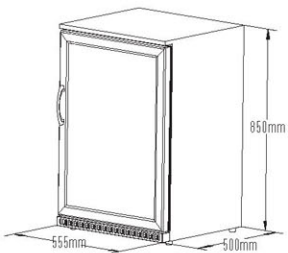
Model: *GFK-SNK*

Model: *GFK-UD*



Single Door Alfresco Fridge

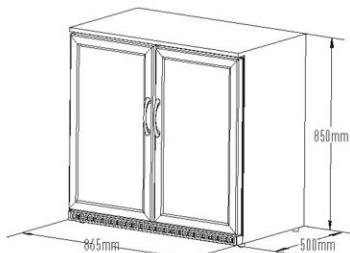
Insulated double-glazed heated glass door with Low-E glass, outdoor IP4 rating.



Model: **GFKC1**

Double Door Alfresco Fridge

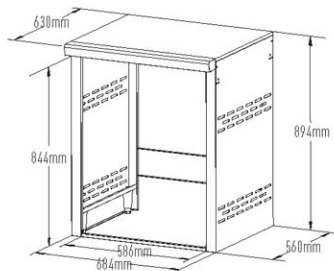
Insulated double-glazed heated glass door with Low-E glass, outdoor IP4 rating.



Model: **GFKC2**

Single Door Fridge Modular

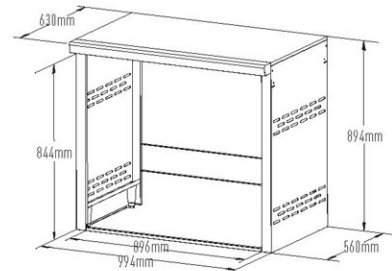
Stainless steel frame with granite top.



Model: **GFK-SFU**

Double Door Fridge Modular

Stainless steel frame with granite top.



Model: **GFK-DFU**

Specifications / GrandFire /



GF266C

GF32LBSGC

GF38LBSGC

GF30LBGC

GF42LBSGC

Roast hood construction	Double Skin	Double Skin	Double Skin	Double Skin	Double Skin
Finish #4 oil grain S.S. finish	Yes	Yes	Yes	Yes	Yes
Main burner type	S/S tube burner	S/S tube burner	S/S tube burner	S/S U-burner	S/S U-burner
Main burners	16.8 MJ/h x 2	16.8 MJ/h x 3	16.8 MJ/h x 4	26.25MJ/h x 2	26.25MJ/h x 3
Sear burner	15MJ/h x 1 (optional)	15MJ/h x 1	15MJ/h x 1	21MJ/h x 1 (optional)	21MJ/h x 1
Infra-red rotisserie burner	-	14.7MJ/hx1	14.7MJ/hx1	12.08MJ/h x 1	14.7MJ/h x 1
Side burner type	Optional	Optional	Optional	Single side burner	Single side burner
Side burner	11.6MJ/h	11.6MJ/h	11.6MJ/h	11.6MJ/h	11.6MJ/h
Cabinets / Draws	2 access doors	2 access doors	2 access doors	2 access doors	Double Drawers & Single door
Ignition system	Self Ignition	Self Ignition	Self Ignition	Hot Surface Ignition	Hot Surface Ignition
Temp gauge	Stainless, up to 800°F	Stainless, up to 800°F	Stainless, up to 800°F	Stainless, up to 800°F	Stainless, up to 800°F
Warming rack	603 x 164mm	755 x 164mm	908 x 164mm	689 x 210mm	994 x 210mm
Flare cap system	Flame tamer	Flame tamer	Flame tamer	Ceramic briquettes	Ceramic briquettes
Slide out gas bottle drawer	yes	yes	yes	yes	yes
Full width stainless steel drip tray	yes	yes	yes	yes	yes
Rotisserie kit	-	240V SS Motor & Kit	240V SS Motor & Kit	240V SS Motor & Kit	240V SS Motor & Kit
In hood halogen lights	-	2	2	2	2
LED front lights	-	-	-	yes	yes
Weather cover	yes	yes	yes	yes	yes
Fuel type	LPG/Natural Gas	LPG/Natural Gas	LPG/Natural Gas	LPG/Natural Gas	LPG/Natural Gas
Gas regulator & hose		LP regulator with hose pre-installed		LP regulator with hose pre-installed	
S/S Hot plate (D x W)	488 x 246mm	488 x 246mm	488 x 246mm	488 x 335mm	488 x 335mm
Grill size (D x W) / Rod diameter	488 x 340-8mm dia	488 x 492-8mm dia	488 x 645-8mm dia	488 x 346-9mm dia	488 x 329-9mm dia
Cooking area (D x W)	488 x 586mm	488 x 738mm	488 x 891mm	488 x 681mm	488 x 993mm
BBQ dimensions (W x D x H)	1363 x 653 x 1207mm	1515 x 653 x 1207mm	1668 x 653 x 1207mm	1465 x 700 x 1311mm	1770 x 700 x 1311mm
Net Weight	67kgs	88kgs	106kgs	108kgs	123kgs
Warranty - Body, hood & cabinet	10 years	10 years	10 years	10 years	10 years
Warranty - Burners, plates & grill	5 years	5 years	5 years	5 years	5 years
Warranty - Valves, ignitions, burner covers	2 years	2 years	2 years	2 years	2 years
Warranty - other parts	1 year	1 year	1 year	1 year	1 year

* Optional accessories are available. Ask local retailers for details. Hauland reserves the right to make modifications and changes.

* All models are convertible for natural gas.

Warranty Information

Limited Ten Year Warranty: The stainless steel body housing and cabinets are warranted to be free from defects in material and workmanship when subjected to normal domestic use and service for ten years from the original purchaser. This warranty is limited to the replacement of defective parts, with the owner paying all other costs including labour.

Limited Five Year Warranty: The burners, cooking grates and plates are warranted to be free from defects in material and workmanship when subjected to normal domestic use and service for a period of five years from the date of purchase. This warranty is limited to the replacement of defective parts, with the owner paying all other costs including labour.

Limited Two Year Warranty: The gas valves, ignitions and burner covers are warranted to be free from defects in material and workmanship when subjected to normal domestic use and service for a period of two years from the date of purchase. This warranty is limited to the replacement of defective parts, with the owner paying all other costs including labour.

Limited One Year Warranty: All other components are warranted to be free from defects in material and workmanship when subjected to normal domestic use and service for a period of one year from the date of purchase.

For additional information regarding this warranty, or information on how to place a warranty claim, visit the GRANDFIRE website or contact your authorised GRANDFIRE dealer in Australia and New Zealand.



AVAILABLE FROM
THIS STOCKIST:

HAULAND

New Zealand: www.hauland.co.nz
Australia: www.grandfirebbqs.com.au

